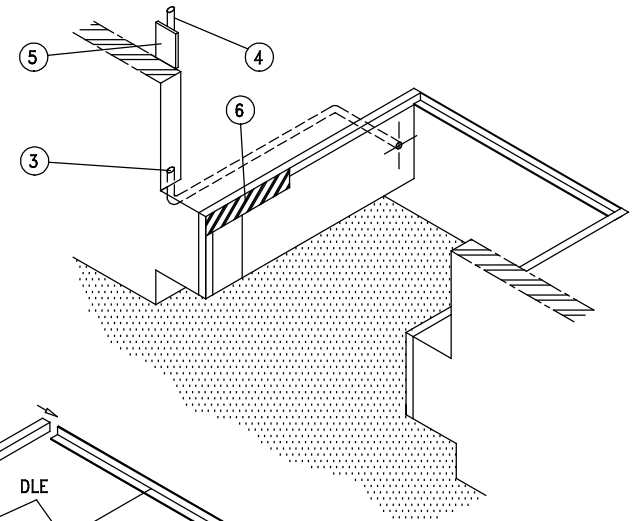
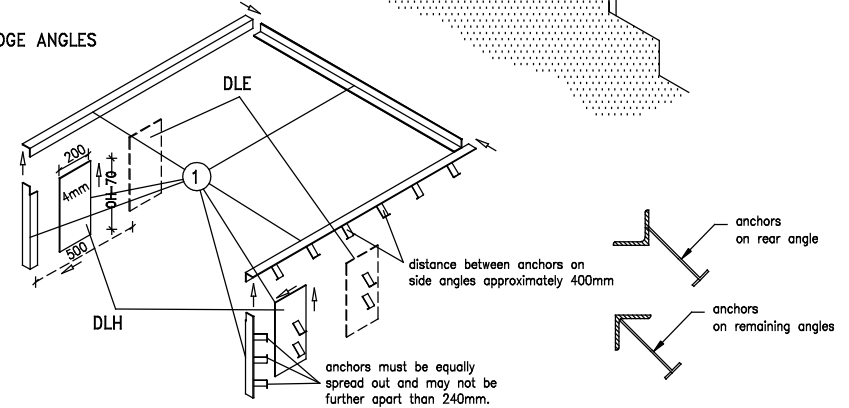


CONCRETE PIT DRAWING FOR DOCK LEVELLER



PIT EDGE ANGLES



- NOTE:**
- Anchors must be connected with reinforcement.
  - Pit must be square and true.
  - Please be advised by our sales department regarding the tail lift opening.
  - Drawing showing the pit forces are available on request.
  - At bumper fixation points forces of 59kN to be expected on prefabricated concrete with 30tons lorries and a velocity of 5km/h.

WORK TO BE CARRIED OUT BY CUSTOMER.  
UNLESS IN ADVANCE OTHERWISE IS AGREED IN WRITING.

**Constructional :**

- The pit including all markings.
- ① Supply and fix pit edge angles (4 70x70x7) and steelplate 4mm.
- ② Provide suitable surface for bumpers, BWxBH.

**Electrical supply required to be :** (for electro-hydraulic operated dock levellers)

- Cable protection between floor level and control panel.
- ③ 70mm dia duct into pit for electrical connections between dock leveller and control panel.
- ④ 400v 3 phase neutral and earth terminating in isolator fixed in position shown.
- ⑤ Provide and fix suitable mounting surface for control panel, CPWxCPW.

**Other:**

- ⑥ Place yellow/black diagonallystriped pit marking.

YOUR DIMENSIONS :		OL	OW	OH	DI	X	Y	PH	DW	BW	BH	CPW	CPH
ITEM:	TYPE :												
ITEM:	TYPE :												
ITEM:	TYPE :												
PH = PLATFORM HEIGHT		BW = BUMPER WIDTH					CPW = CONTROL PANEL WIDTH						
DW = DOOR WIDTH		BH = BUMPER HEIGHT					CPH = CONTROL PANEL HEIGHT						

UNITS IN mm	TYPE	009	010	011	012	013	014	015	016	017	019	608	610	612	708	710	712
OL = OVERALL LENGTH		2020	2520	3020	3520	2020	2520	3020	3520	4020	4020	2190	2790	3390	2190	2790	3390
OW = OVERALL WIDTH		2030	2030	2030	2030	2280	2280	2280	2280	2030	2280	1860	1860	1860	2130	2130	2130
OH = OVERALL HEIGHT		610	610	610	610	610	610	610	610	610	610	610	610	610	610	610	610
OH* = OVERALL HEIGHT (DLE)		710	710	710	710	710	710	710	710	710	710	710	710	710	710	710	710
DI = DIAGONAL		2864	3236	3639	4063	3046	3398	3784	4194	4503	4622	2873	3353	3867	3055	3510	4004
X = ANCHOR DISTANCE MIDDLE		710	710	710	710	710	710	710	710	710	710	710	710	710	710	710	710
Y = EXTRA ANCHOR		-	-	-	-	300	300	300	300	-	300	-	-	-	-	-	-

Customer :	Quotation No :	<b>PIT DRAWING FOR DOCK LEVELLER DLH/DLE 60kN</b>		
Project :	No :			
Architect :	Date of issue :			
Your Ref. No :				
Scale: 1:50	Tolerance: -0/+10	Doc. No:	Rev.: 12-3-2009	No: 50.001 IA